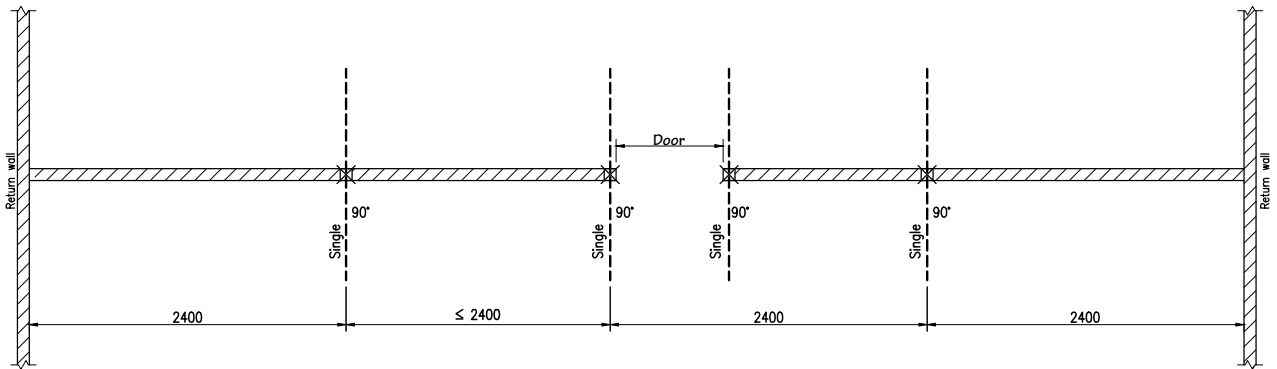
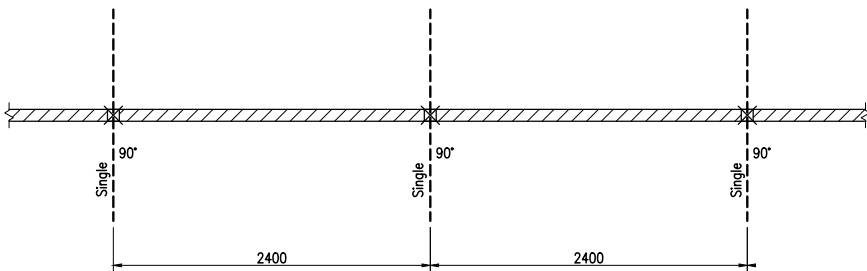


BRACING AROUND SMALL ROOMS



BRACING BETWEEN RETURN WALLS

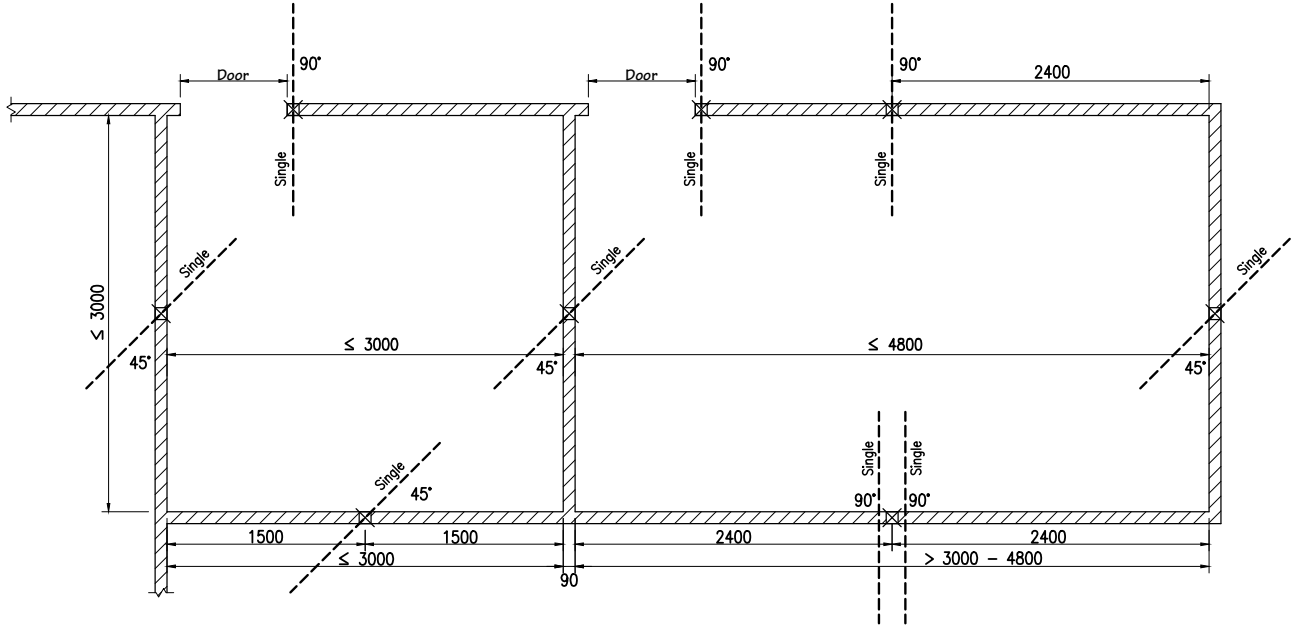


STRAIGHT WALLS WITH NO RETURN WALLS

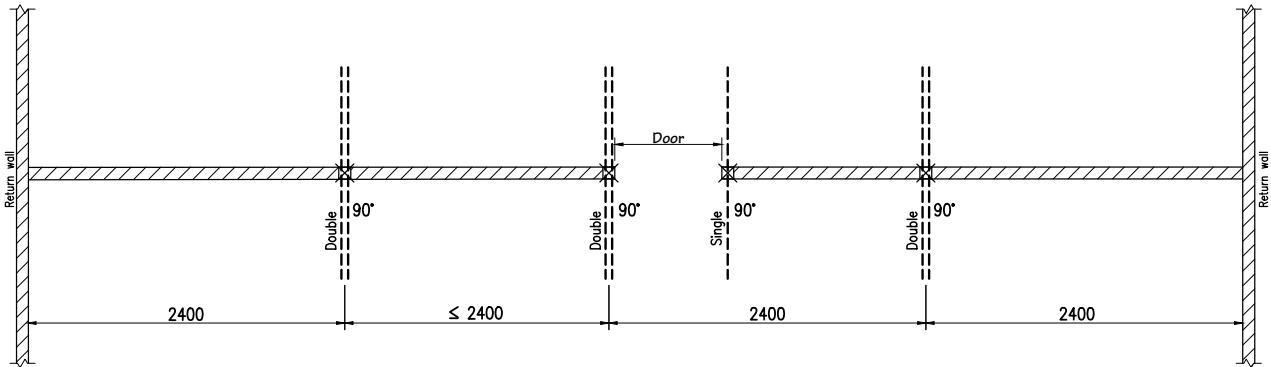
AUCKLAND/ all levels
WELLINGTON/ up to 3.0m above ground
CHRISTCHURCH/ up to 6.0m above ground

NOTES

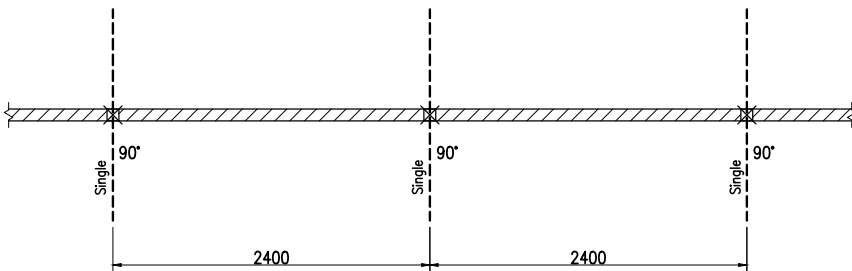
- 1/ Height (m) is to floor above partition.
- 2/ Spacings based on horizontal load < 0.75 kN/m
- 3/ Allows for 50mm of inter story drift.
- 4/ For wall heights up to 3.0m.
- 5/ For wall weights up to 40kg per m2.



BRACING AROUND SMALL ROOMS



BRACING BETWEEN RETURN WALLS

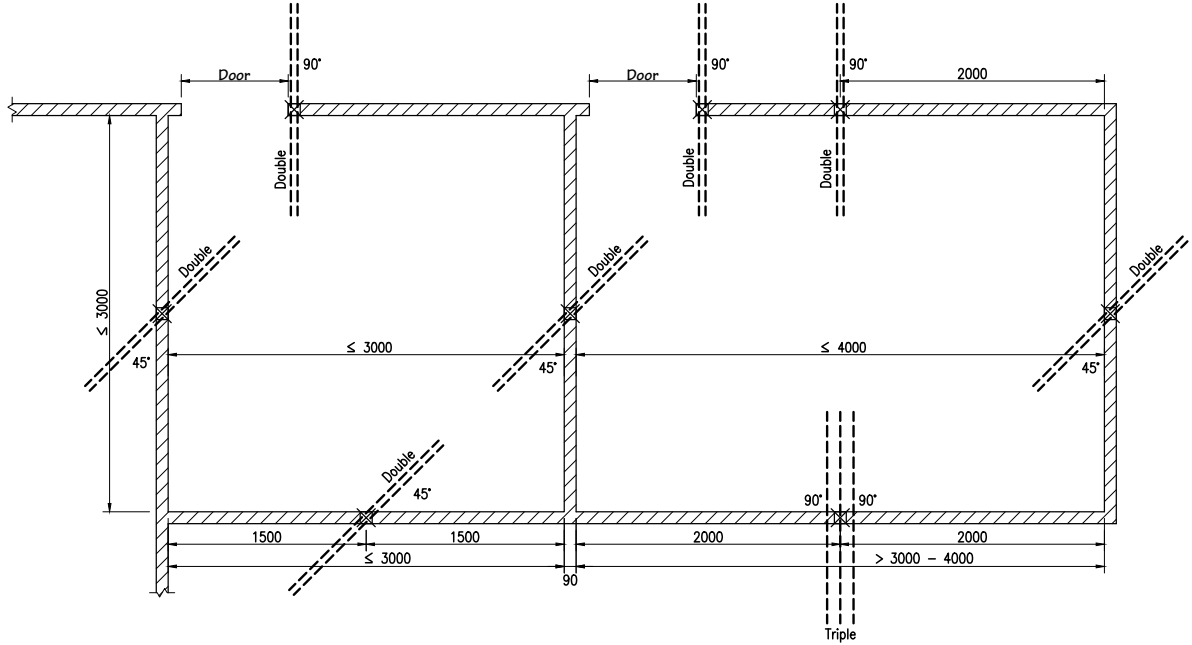


STRAIGHT WALLS WITH NO RETURN WALLS

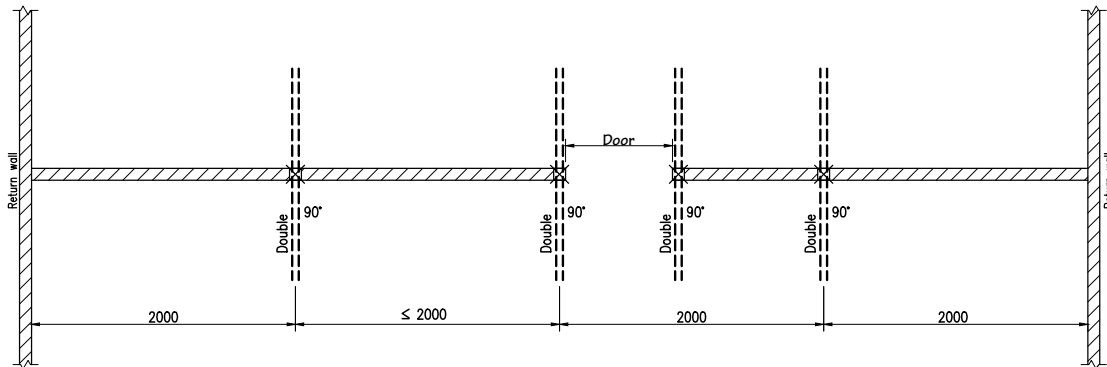
WELLINGTON/ from 3.0m to 9.0m above ground
CHRISTCHURCH/ above 6.0m from ground

NOTES

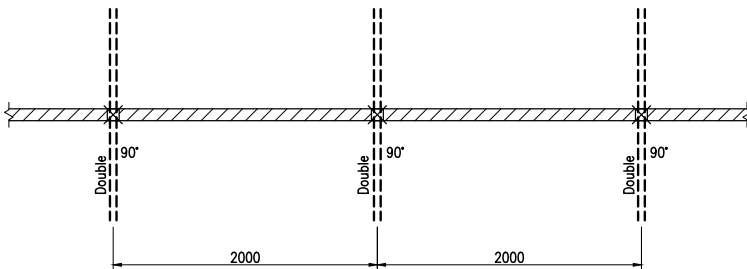
- 1/ Height (m) is to floor above partition.
- 2/ Spacings based on horizontal load < 1.20 kN/m
- 3/ Allows for 50mm of inter story drift.
- 4/ For wall heights up to 3.0m.
- 5/ For wall weights up to 40kg per m².



BRACING AROUND SMALL ROOMS



BRACING BETWEEN RETURN WALLS



STRAIGHT WALLS WITH NO RETURN WALLS

WELLINGTON/ above 9.0m from ground

NOTES

- 1/ Height (m) is to floor above partition.
- 2/ Spacings based on horizontal load $< 1.60 \text{ kN/m}$
- 3/ Allows for 50mm of inter story drift.
- 4/ For wall heights up to 3.0m.
- 5/ For wall weights up to 40kg per m².